

2018



CENTURY

B · O · A · T · S

DEMAND IT ALL™





CENTURY BOATS

Welcome to Century Boats – a classic American boat company. Established in 1926, Century Boats has created high-quality vessels for more than 90 years. From our earliest days of crafting enduring and durable wooden sportcraft to the high-performance offshore fishing machines of today, Century Boats has always invited you to Demand It All.

Century Boat Company was founded in Milwaukee, Wis. in 1926 and moved its headquarters and production facilities to Manistee, Mich. in 1928 where it remained for nearly 60 years. In the early 1960s, Century Boats made several important innovative strides – the company introduced its 45-foot motoryacht and its first jet-powered boat. In the late 1960s, Century Boats transitioned from producing wooden boats to fiberglass hulls. Then in 1983 the company underwent another significant move when it relocated from Michigan to Panama City, Fla.

Yamaha Motor Corp. entered the Century Boats timeline when it acquired the brand in 1995. Under the new company name, C&C Manufacturing, Century Boats would grow to produce more than 1,100 boats per year from this facility... until Yamaha Motor Corp. closed the company in December 2009.

The future of the brand and its legacy remained uncertain for nearly three years – until the Lucius family acquired Century Boats from Yamaha Motor Corp. in 2012.

Today, Century Boats makes its home in Zephyrhills, Fla. With strong roots in Florida boat building, the Lucius family is committed to ensuring that the Century Boats brand lives on. It's a brand that embodies true fishability, luxury and reliability – and passion for the brand is evident in every boat that Century produces. At Century Boats, today is not business as usual. We approach each new boat and innovative model with an eye on the customer's needs. As a privately-held, family-owned company we believe in transparency and communication with our customers, dealers and future owners.

Technology, craftsmanship and a deep commitment to excellence are indelibly ingrained into every boat that leaves the Century Boats facility. We're reviving the brand and guiding the future of hardcore fishing machines. It's a simple philosophy that sees luxury and performance unite across every model. From our dual console Resorter to a full lineup of center consoles, walkarounds and expresses – Century Boats encourages you to Demand It All.

EST. 1926



FISHABILITY



LUXURY



RELIABILITY



2018

2200 CC



Making **MEMORIES**
one **BOAT** *ride at a* **TIME**

CENTER CONSOLE

MAKING MEMORIES...

...one boat ride at a time. When you set out on your 2200 CC, you're sure to create lasting memories every trip. Whether you're exploring pristine islands with the family or chasing trophy fish with friends, the 2200 CC gets you there and back safely – and in style. Amenities like its enclosed head, ample seating and freshwater shower are complimented by hardcore fishing features like an aerated livewell, t-top with rocket launchers and tackle box: all standard.



FISHABILITY



LUXURY

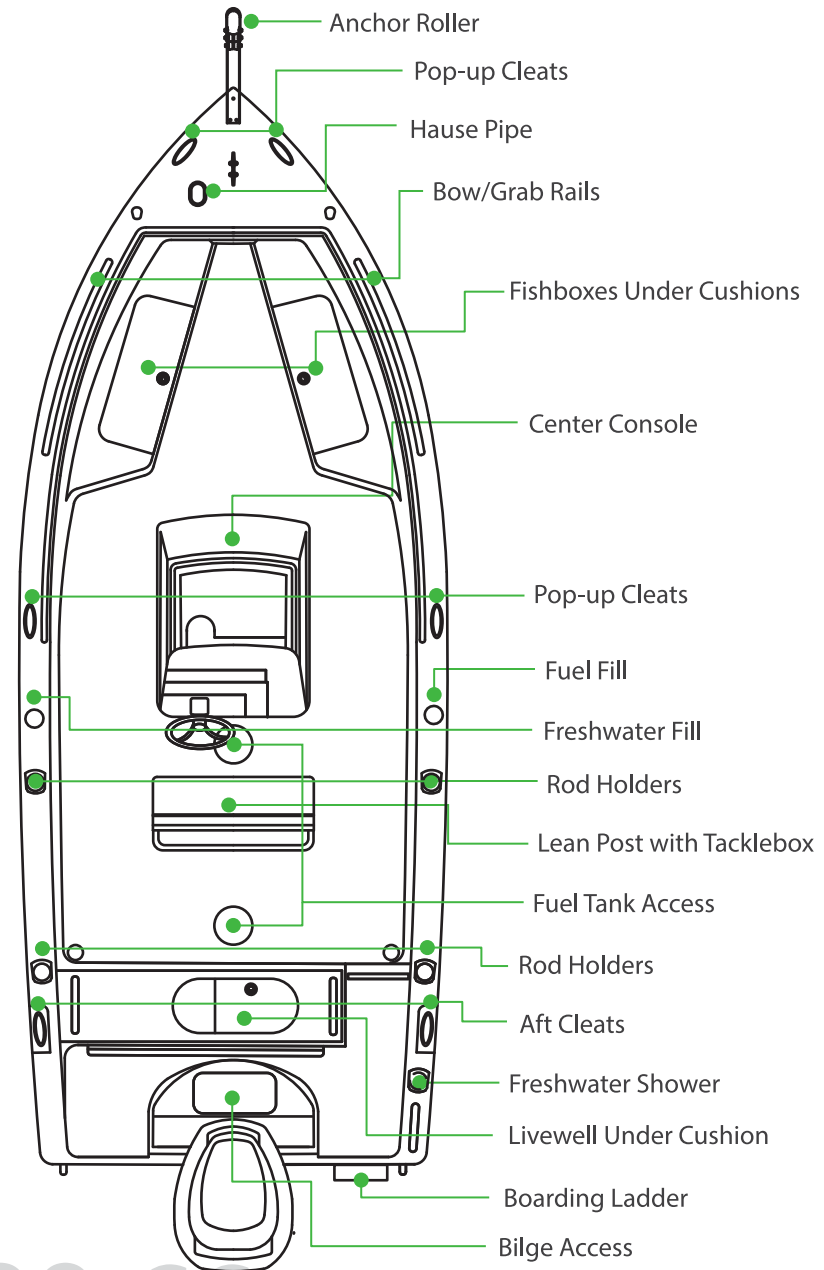


RELIABILITY



SPECIFICATIONS

Length	22'
Beam	8' 6"
Draft	17"
Weight w/out Engine	3500 lbs
Fuel Capacity	100 gal
Deadrise at Transom	20 deg
Max Horsepower	250 hp
Bridge Clearance w/ Top	8' 6"



2200 CC

2301 CC



No such **THING** as
a **LAZY** day on the **WATER**



FISHABILITY



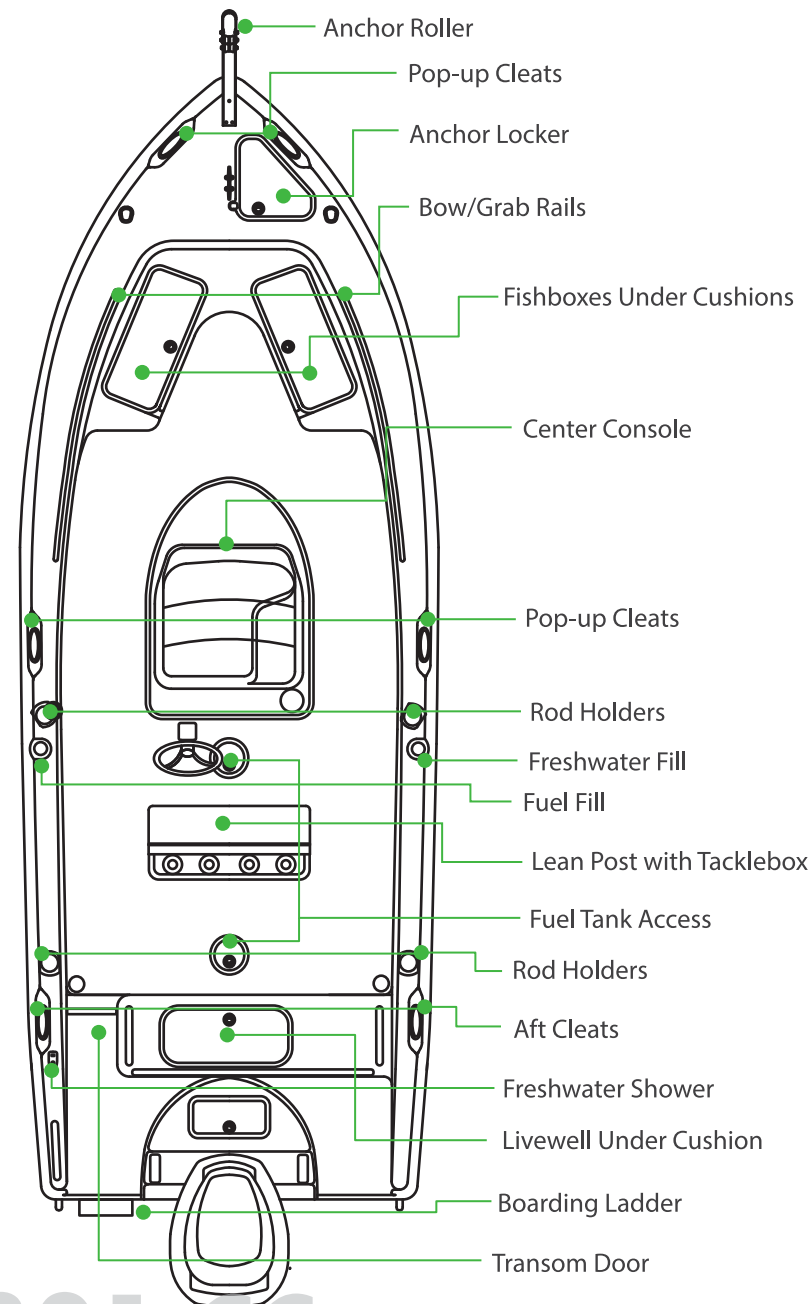
LUXURY



RELIABILITY

FLAGSHIP OF OUR SINGLE-ENGINE FLEET

Set out on the flagship of our single-engine fleet with the knowledge and confidence that the 2301 CC will get you where you need to be. The 2301 CC delivers a strong, sturdy ride to reach far offshore and provides features and amenities to get you there in complete comfort: including wrap-around bow seating, integrated tackle storage, fiberglass hard-top with rocket launchers and spreader lights, and so much more.



SPECIFICATIONS

Length	23'
Beam	8' 6"
Draft	16"
Weight w/out Engine	4150 lbs
Fuel Capacity	130 gal
Deadrise at Transom	20 deg
Max Horsepower	300 hp
Bridge Clearance w/ Top	8' 6"

2301 CC

2600 CC



It craves **BIG WATER**
almost as much as **YOU** *do*



FISHABILITY



LUXURY



RELIABILITY

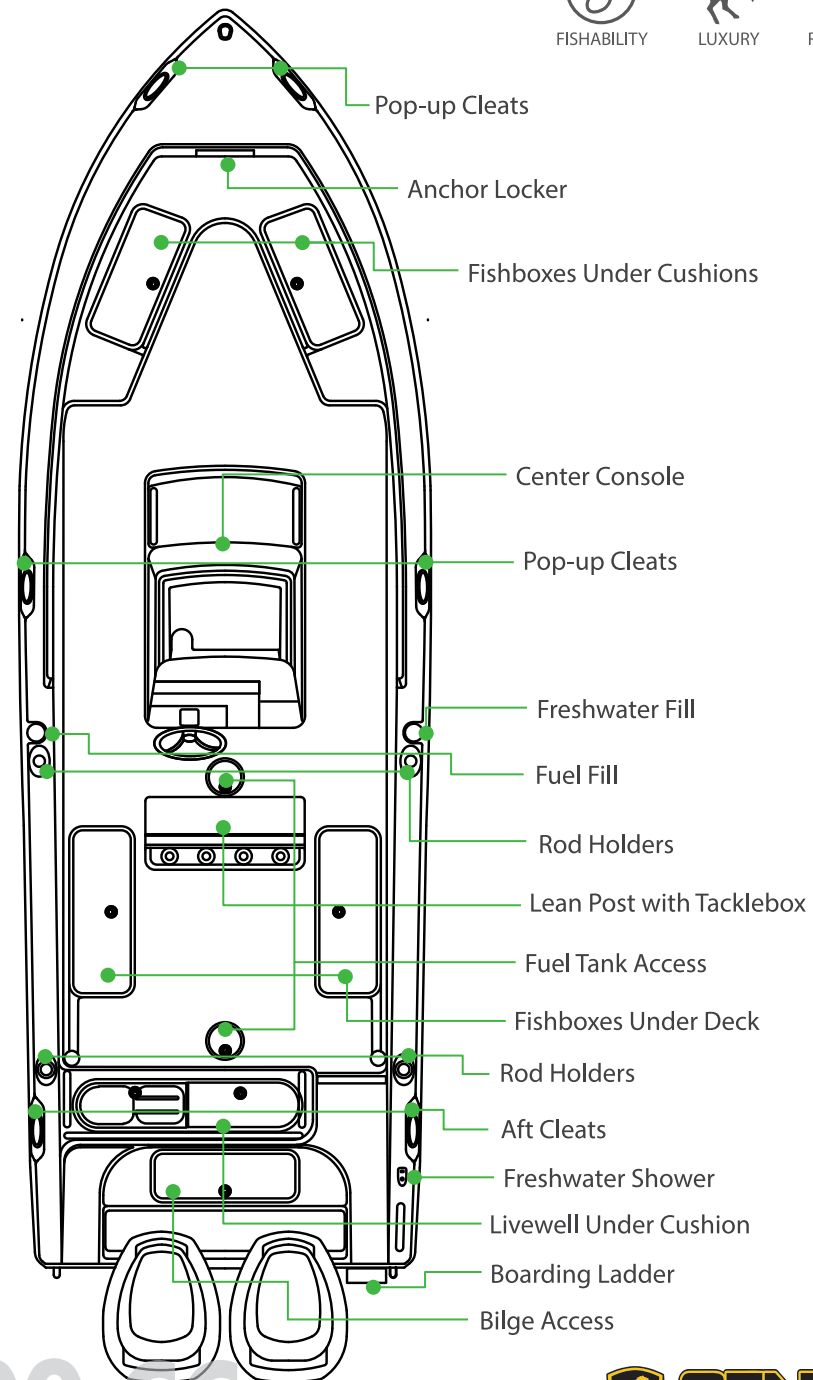
BIG WATER CAPABILITY

The 2600 CC simply craves big water. And with its dual Yamaha outboards, it can't wait to get there. Step onboard and you'll instantly sense its big water capability. You'll also be at home with features like enclosed head, Raymarine electronics and a captain's chair tailored to all-day adventure. Be sure to come ready to fish as you discover the 2600 CC's large insulated fishboxes, aerated livewell, ample rod storage, fiberglass top and more.



SPECIFICATIONS

Length	26'
Beam	8' 6"
Draft	15"
Weight w/out Engine	5800 lbs
Fuel Capacity	184 gal
Deadrise at Transom	20 deg
Max Horsepower	450 hp
Bridge Clearance w/ Top	8' 6"



2600 CC

2901 CC



HARDCORE FISHING
meets Luxury and Comfort

HARDCORE FISHING

Make no mistake, when you step onto the 2901 CC it's time to fish. Built to bring home trophies from waters over the horizon, the 2901 CC means business. And with plenty of seating from bow to stern, your friends will certainly want to join in on the adventure. When it's time to reach farther, the amenities she brings will get you there in comfort: enclosed head, Raymarine electronics, powder-coated hard-top, rocket launchers, freshwater shower, in-floor insulated fixboxes and more.



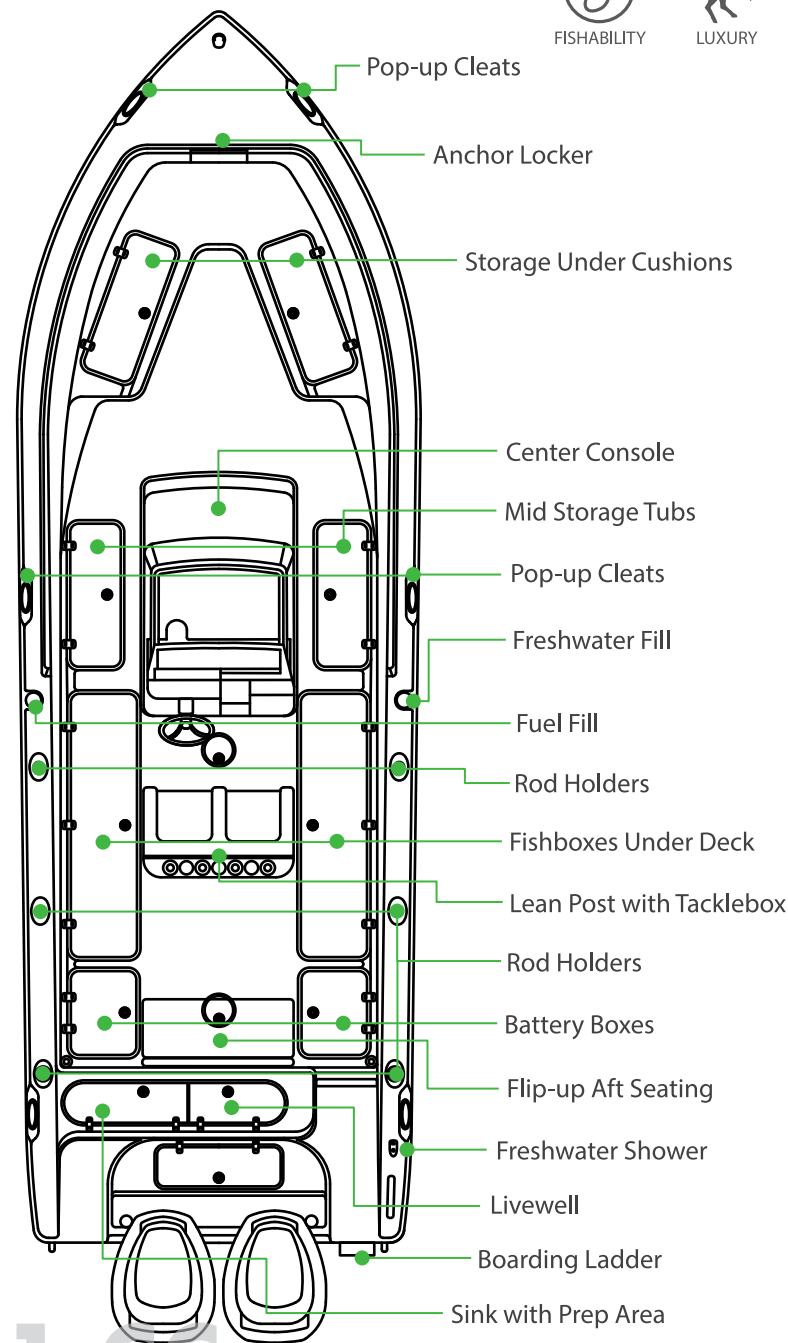
FISHABILITY



LUXURY



RELIABILITY

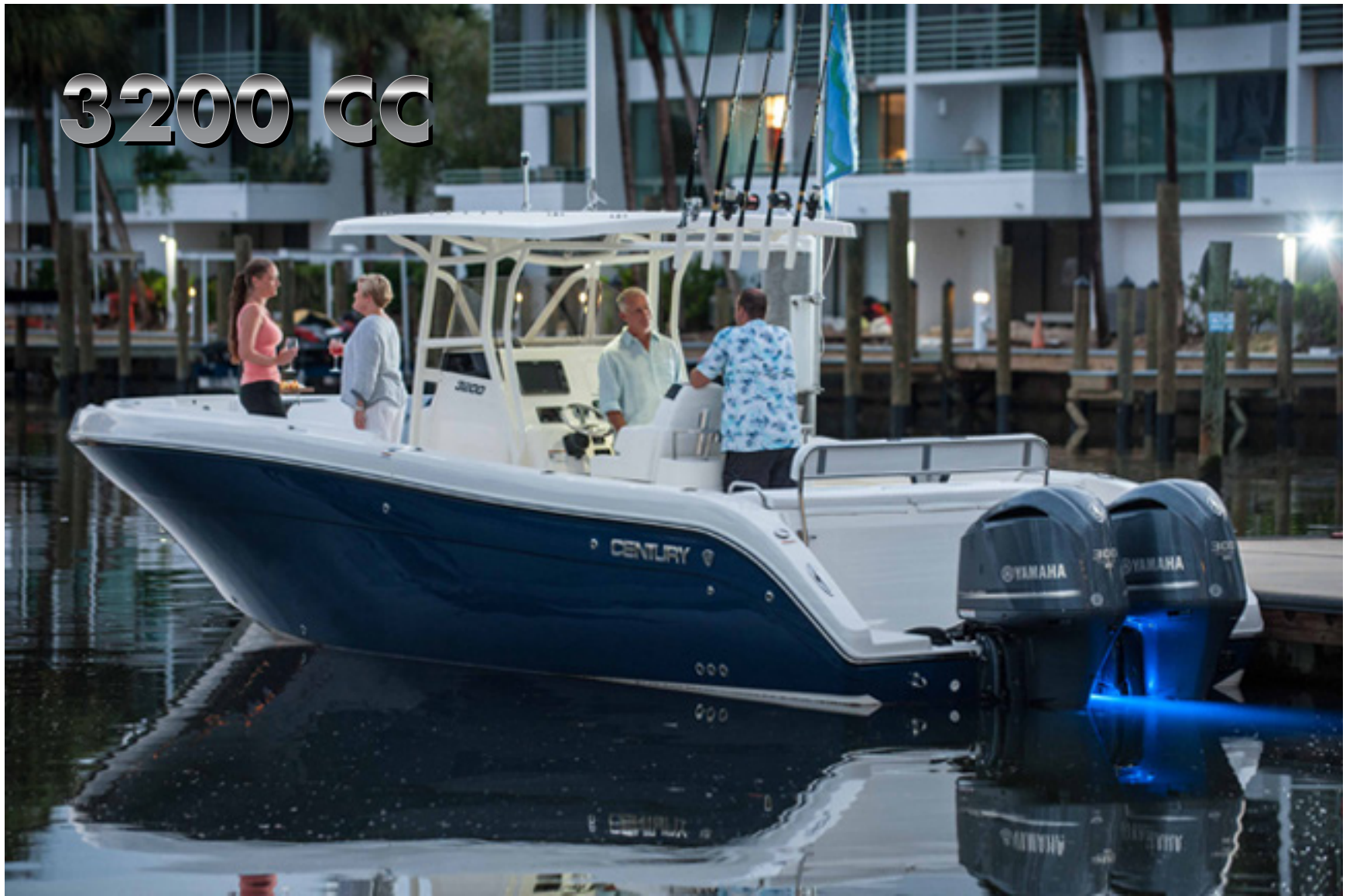


SPECIFICATIONS

Length	29'
Beam	9' 6"
Draft	22"
Weight w/out Engine	7000 lbs
Fuel Capacity	280 gal
Deadrise at Transom	23 deg
Max Horsepower	600 hp
Bridge Clearance w/ Top	8' 6"

2901 CC

3200 CC



Conversation
STARTER

EXPLORE NEW HORIZONS

Meet the 3200 CC. At 32 feet in length with a 10' 6" beam, the 3200 CC is loaded with performance fishing features designed for tournament and pleasure anglers alike – plus plenty of luxury and safety amenities for entertaining. Fishing accessories include an oversized livewell, lockable rod storage and large fishboxes forward and aft. For your guests, the 3200 CC offers an enclosed head, forward-facing bow seating and a standard bow entertainment table that creates a true social center.



FISHABILITY



LUXURY

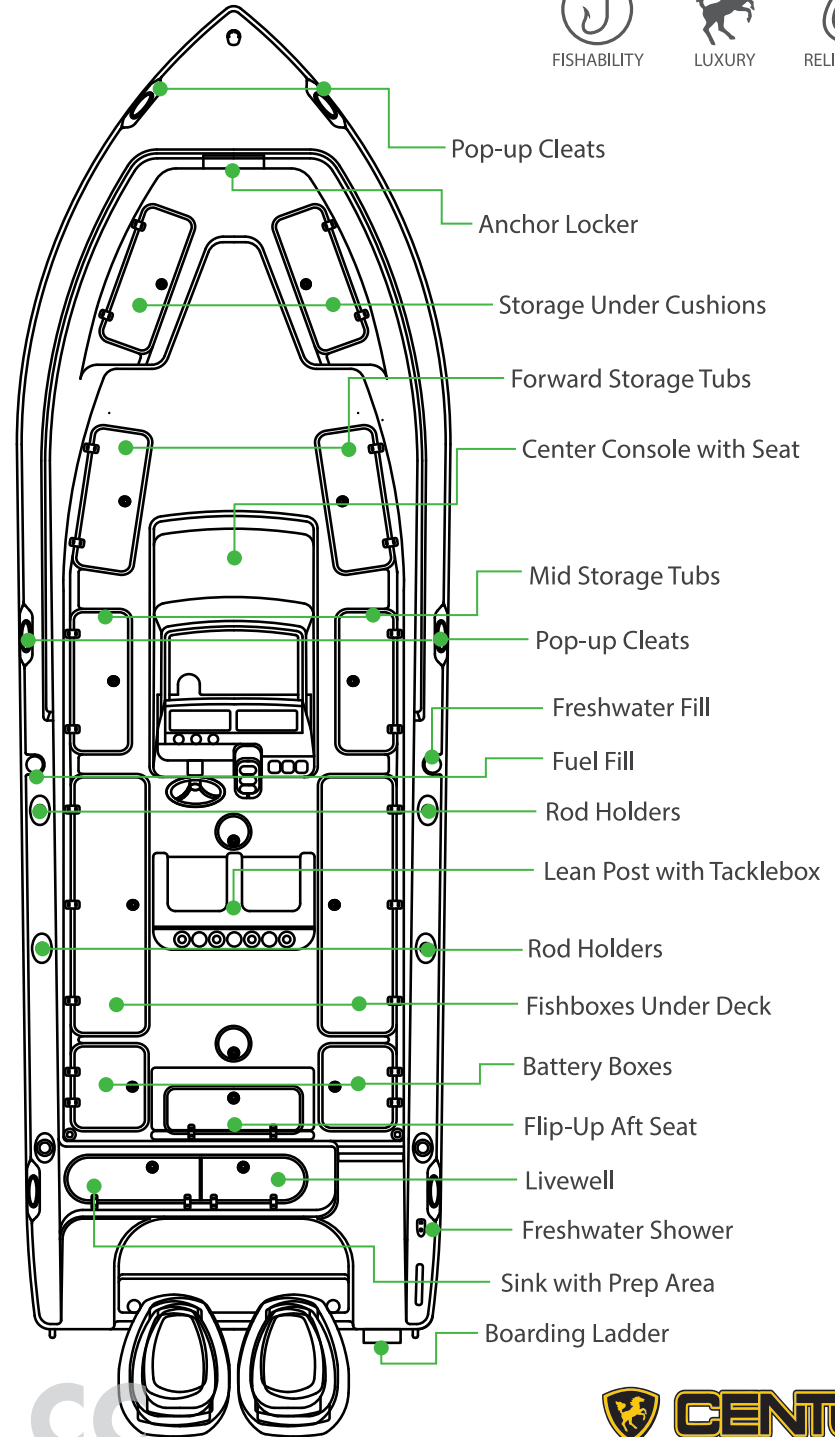


RELIABILITY



SPECIFICATIONS

Length	32'
Beam	10' 6"
Draft	20"
Weight w/out Engine	8500 lbs
Fuel Capacity	280 gal
Deadrise at Transom	23 deg
Max Horsepower	700 hp
Bridge Clearance w/ Top	8' 6"



3200 CC

24 RESORTER



Versatility.
REDEFINED.

DUAL CONSOLE



FISHABILITY



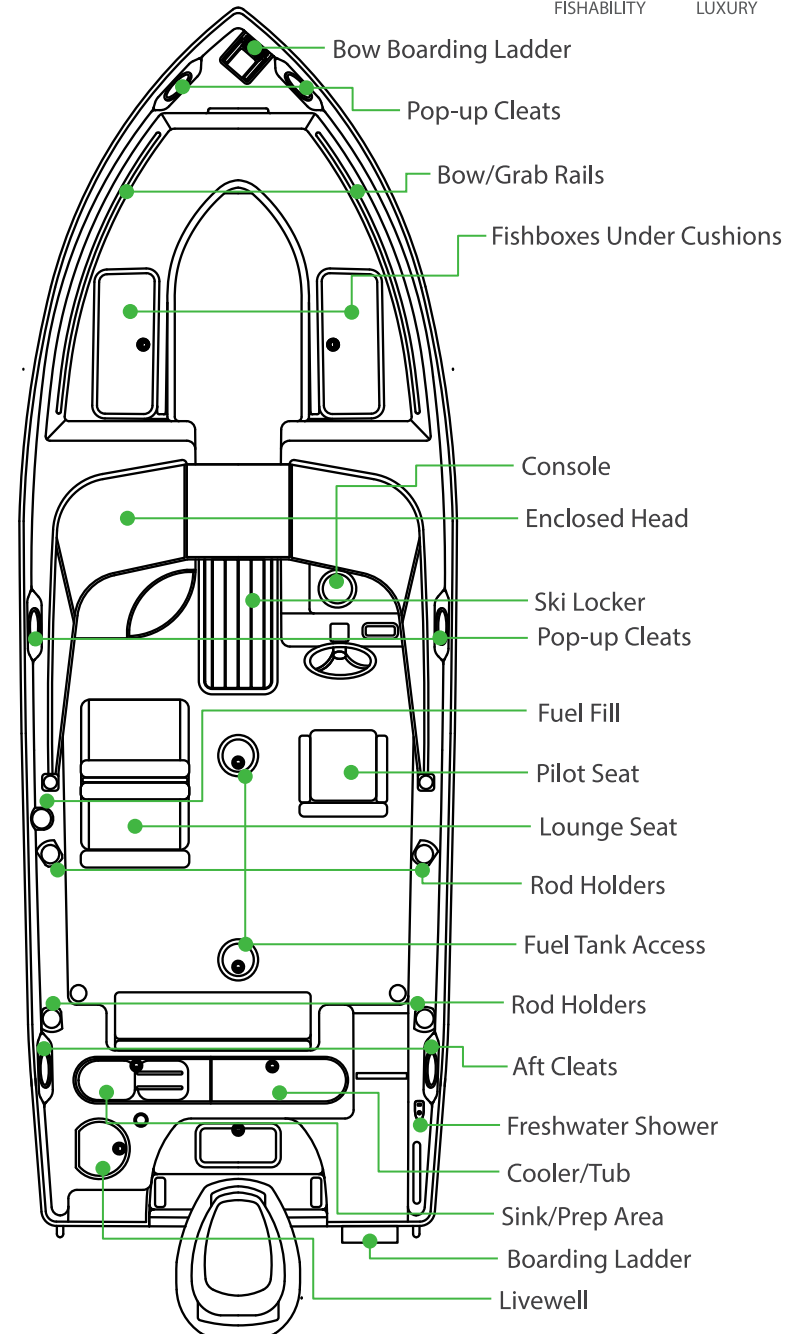
LUXURY



RELIABILITY

VERSATILITY. REDEFINED.

Explore where the imagination takes you. Whether it's a day of discovery with the family. Watersports with friends. Or venturing offshore in hunt of a trophy catch – the 24 Resorter is big on versatility. This innovative dual console design is ideal for a variety of on-the-water activities. Features include an enclosed head, multi-positional passenger lounge seat, bow seating over insulated fishboxes, large livewell and boarding ladders forward and aft.



SPECIFICATIONS

Length	23' 9"
Beam	8' 6"
Draft	15"
Weight w/out Engine	4800 lbs
Fuel Capacity	162 gal
Deadrise at Transom	20 deg
Max Horsepower	400 hp
Bridge Clearance w/ Top	101"

24 RESORTER

2200 WA



For family **FUN**
just add **WATER**



FISHABILITY



LUXURY



RELIABILITY

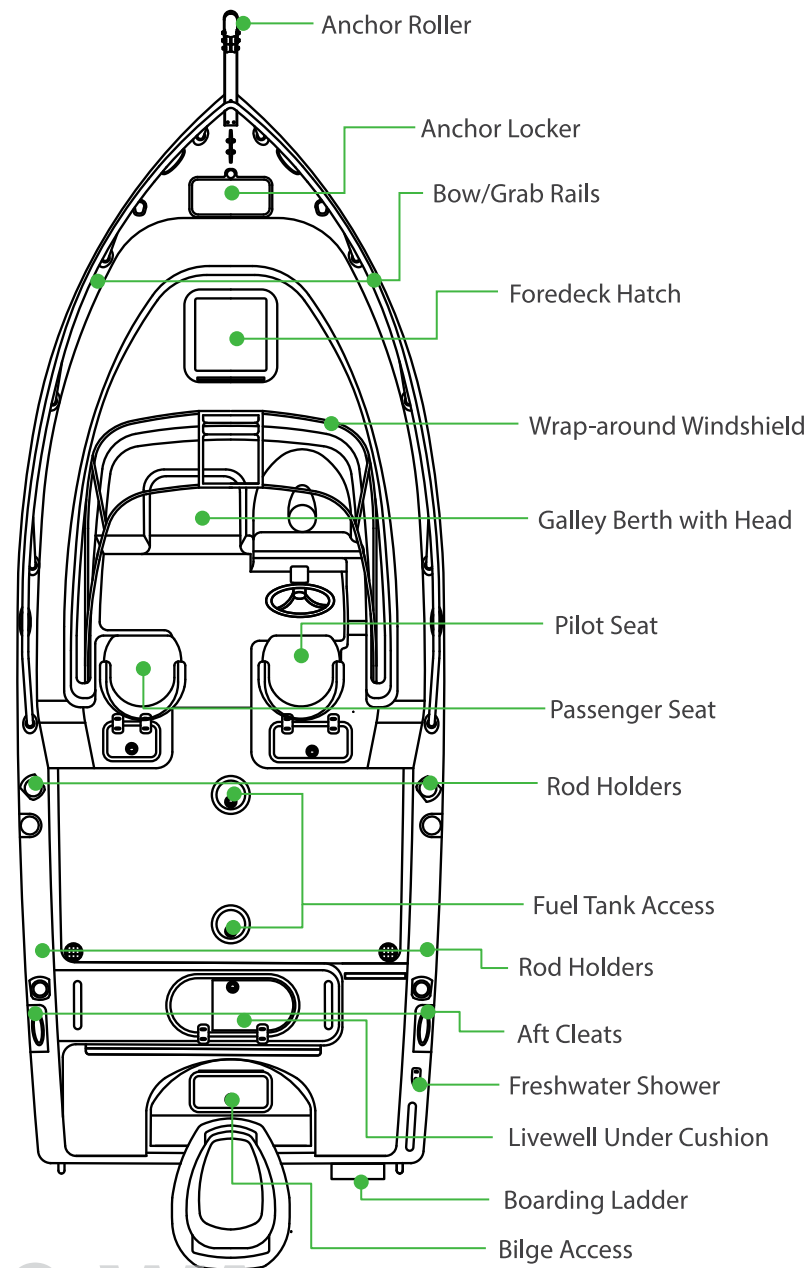
FOR FAMILY FUN JUST ADD WATER

The 2200 WA provides many comfort and convenience amenities typically found only on much larger boats. Built for cruising, fishing and watersports, the 2200 WA with its enclosed cabin enables you and your guests to extend your time on the water and take a break from the weather when needed. Keep your fishing equipment handy, too – the 2200 WA creates a solid, reliable platform for offshore trolling or inshore expeditions... just add water!



SPECIFICATIONS

Length	22'
Beam	8' 6"
Draft	17"
Weight w/out Engine	3850 lbs
Fuel Capacity	93 gal
Deadrise at Transom	20 deg
Max Horsepower	250 hp
Bridge Clearance w/ Top	8' 4"



2200 WA

2600 WA



Where comfort and **STYLE** meet
SPORTY sophistication



FISHABILITY



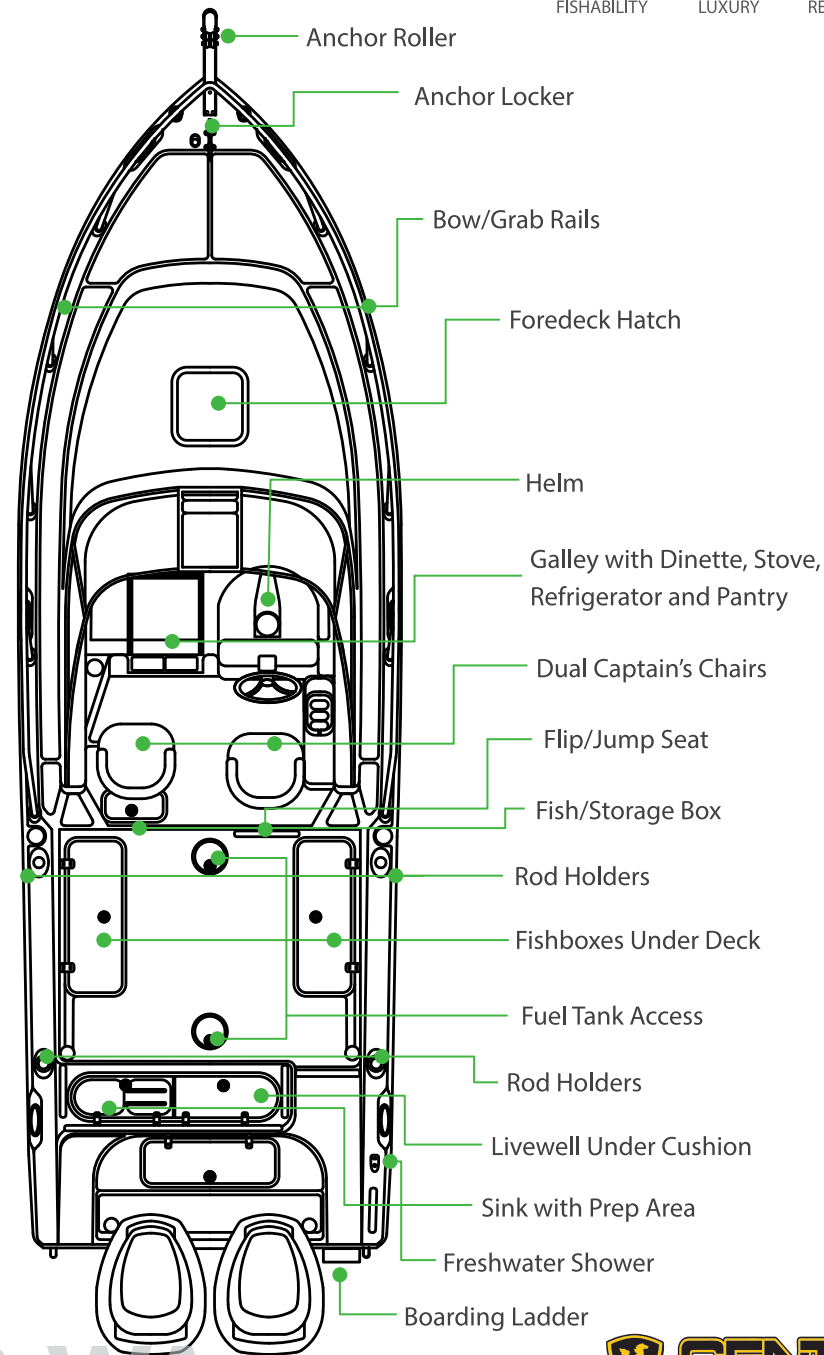
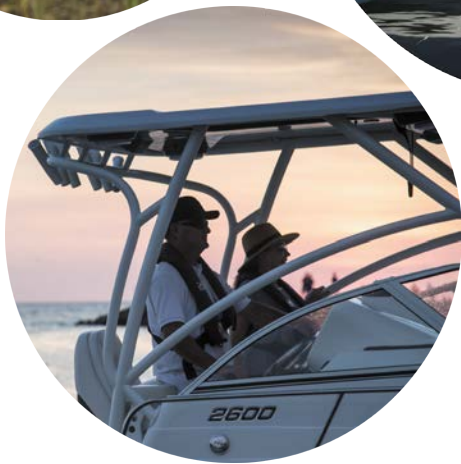
LUXURY



RELIABILITY

EXTEND THE WEEKEND

A quick peek downstairs reveals a complete cabin with ample room for cooking, entertaining, sleeping and more. The cabin offers a full galley and ample V-berth to provide comfort day and night. Up top, the deck is where the fishing action heats up. Fishing features include deluxe captain's chairs, fiberglass hard-top with lights and rocket launchers, integrated tackle storage, insulated fishboxes, aerated livewell and more. Extend the weekend in comfort and sporty sophistication aboard the 2600 WA.



SPECIFICATIONS

Length	26'
Beam	8' 6"
Draft	15"
Weight w/out Engine	5800 lbs
Fuel Capacity	138 gal
Deadrise at Transom	20 deg
Max Horsepower	450 hp
Bridge Clearance w/ Top	9' 3"

2600 WA

30 EXPRESS



Packed with **FEATURES**
and **PERFORMANCE**

ADVENTURE AWAITS

Explore the seas with performance and style. The Express Series by Century Boats is designed to deliver the comfort and features you demand for an extended trip offshore chasing the big ones... or cruising the river in stylish serenity. The 30 Express delivers with the amenities and luxury you need for casual entertaining or action-packed overnight trips.



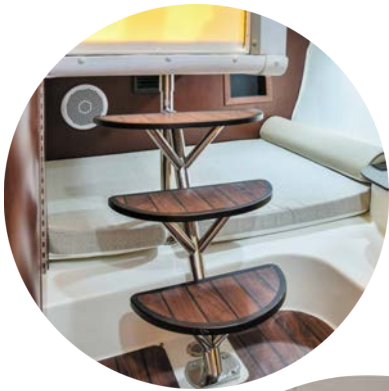
FISHABILITY



LUXURY

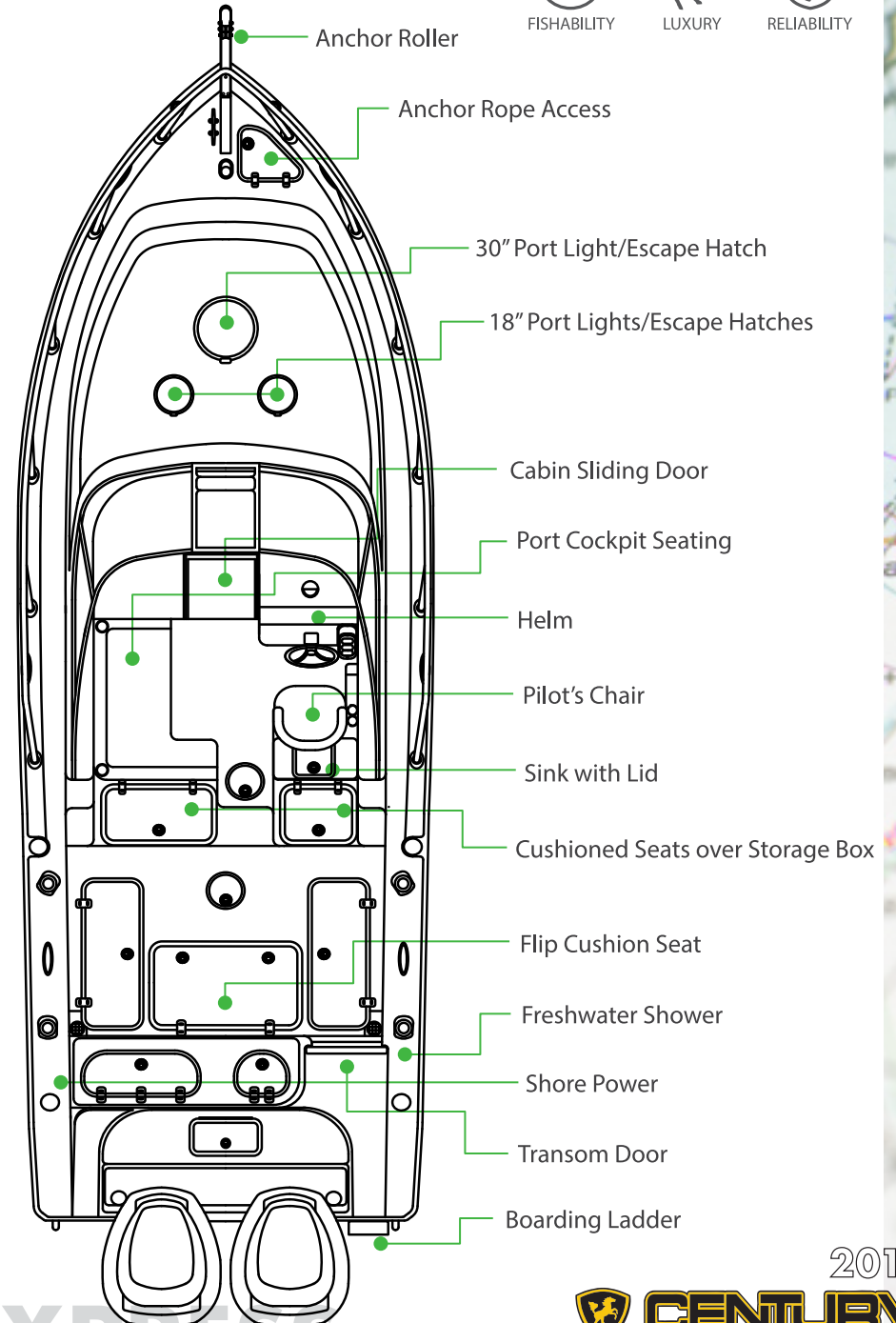


RELIABILITY



SPECIFICATIONS

Length	30' 6"
Beam	10' 9"
Draft	27"
Weight w/out Engine	10422 lbs
Fuel Capacity	225 gal
Deadrise at Transom	21.5 deg
Max Horsepower	700 hp
Bridge Clearance w/ Top	8' 7"



30 EXPRESS





CENTURY

B · O · A · T · S

DEMAND IT ALL™

CENTURYBOATS.COM | 2018

Models, specifications, features and equipment shown are based on model year and availability at time of publication.



FISHABILITY



LUXURY



RELIABILITY